

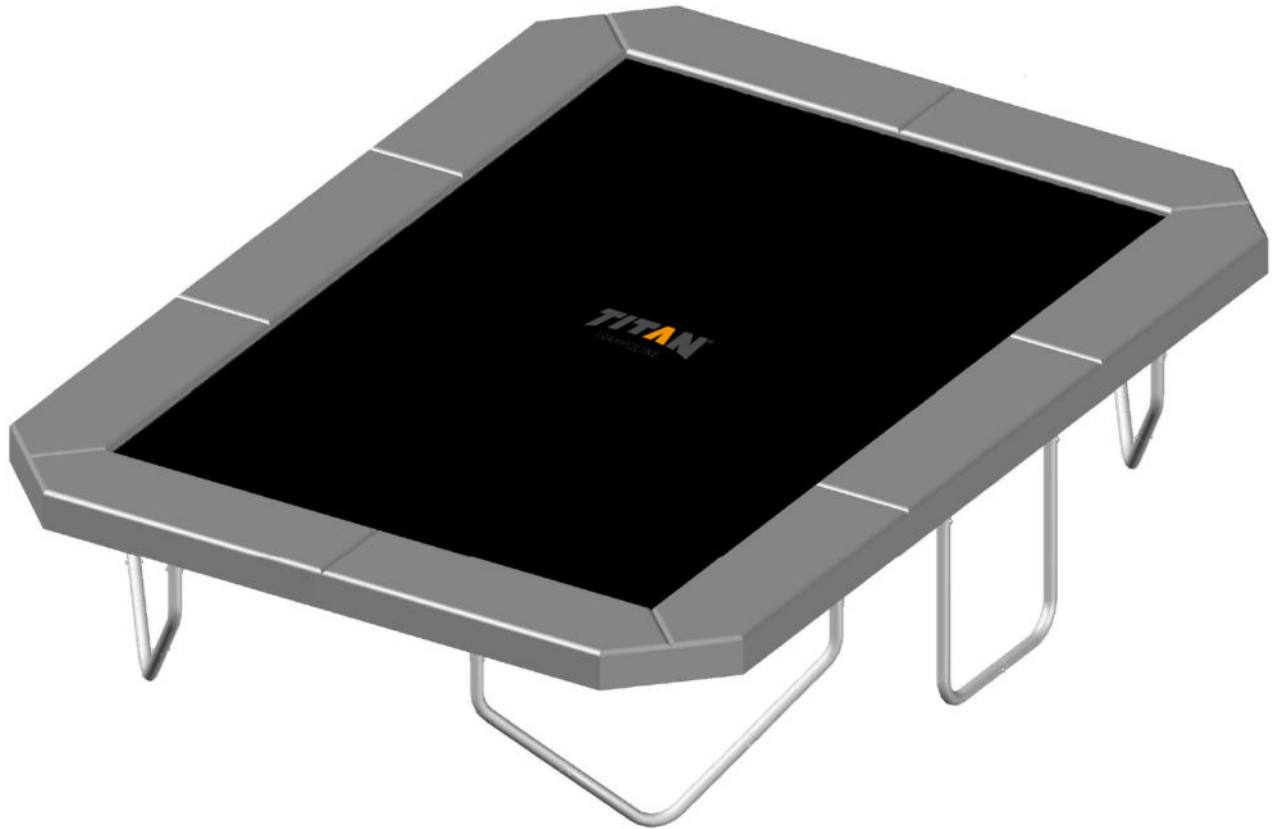
Model 343 / 10x14ft



Rectangular Trampolines

Assembly manual

Model 343 / 10x14ft



Model 313
270x100














Model 313-L
270x100

Model 323 / Model 324 / Model 325
300x225 / 300x150 / 300x225











Model 343
400x300

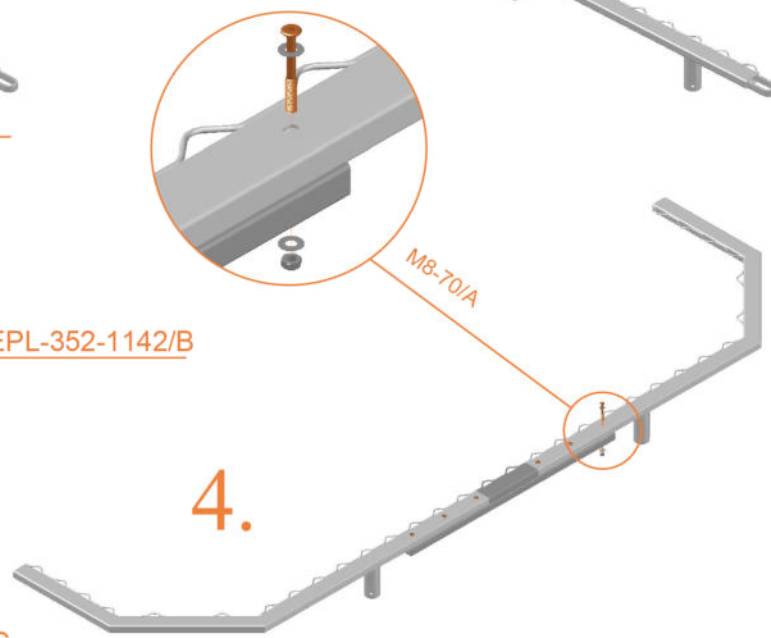
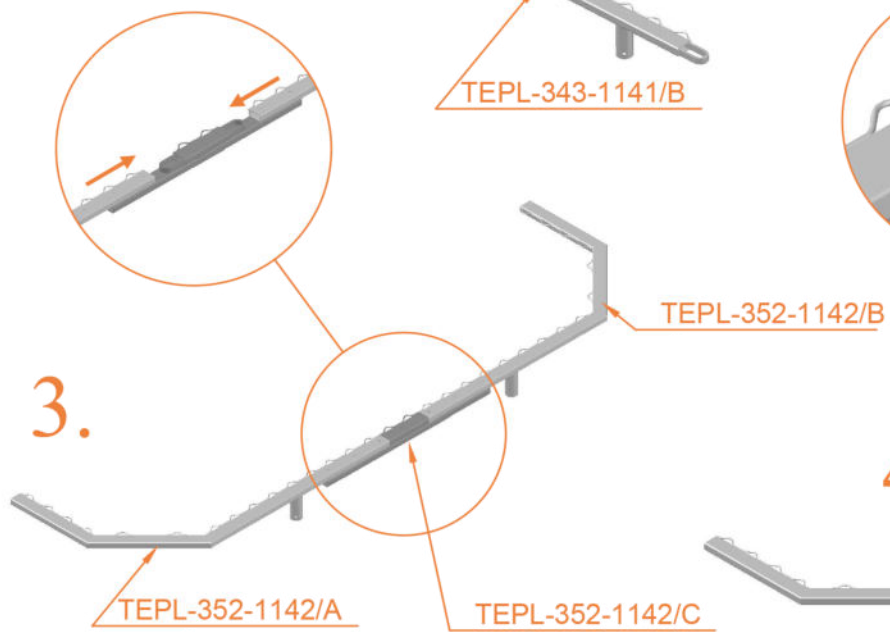
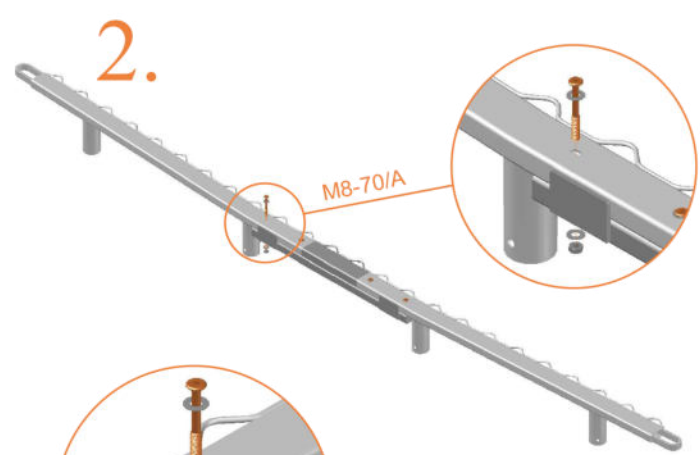
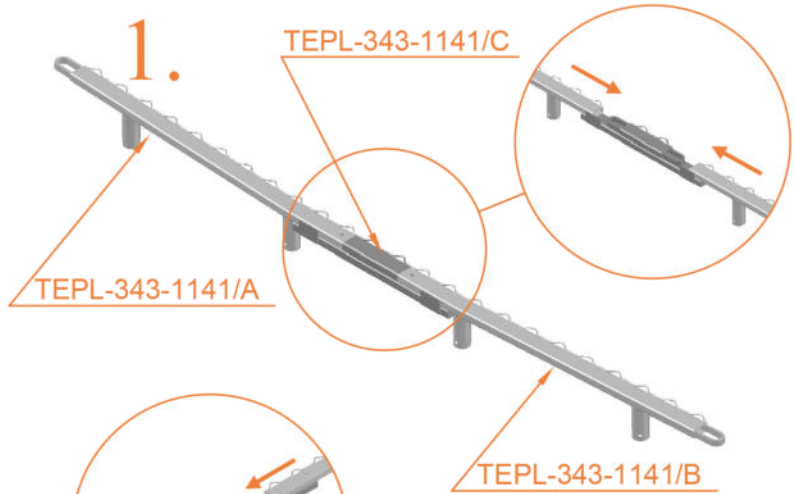
Model 302
300x300

Model 343
APPROX 430x305cm

	Quantity	Part number	
Jumping mat	1	TEPL-343-222	
Galvanized spring L=215mm Ø3.2mm	104	TEPL-200-211/A	
Galvanized spring L=140mm Ø3.2mm	8	TEPL-200-211/E	
Safety pad	1	AVBL-343-333-black or AVGR-343-333-grey	
Fastener for Safety pad	10	TEPL-ELAS/A	
V-tube	4	TEPL-352-116/A	
J-tube	8	TEPL-352-116/B	
L-tube	2	TEPL-352-1142/A	
L-tube	2	TEPL-352-1142/B	
I-tube	2	TEPL-352-1142/C	
I-tube	2	TEPL-343-1141/C	
K-tube	2	TEPL-343-1141/A	
K-tube	2	TEPL-343-1141/B	

Model 343
APPROX 430x305cm

	Quantity	Part number	
J-tube	2	TEPL-343-1121	
J-tube	2	TEPL-343-1122	
Screw M8, nut and washer	20	M8-70 / A	
Screw M8, nut and washer	12	M8-70 / B	
Screw M8, nut and washer	10	M8-60	
Tool for springs	1	TOOL-SPRING	
Fastener for Safety pad (Attached for safety pad)	20	TEPL-ELAS/B	
Wrench	2	WRENCH	
Allen key	1	ALLEN KEY	
Tool connector for ELAS-B	1	TOOL-ELAS-B	
Users Manual	1	208010101	
Warning Card	1	208040101	
Tie rip for warning card	1	209010102	
Safety manual	1	208010301	



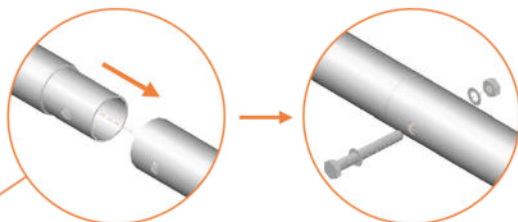
5.



TEPL-343-1122

TEPL-343-1121

M8-60 2pcs

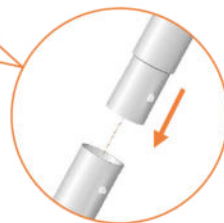


6.

TEPL-352-116/B

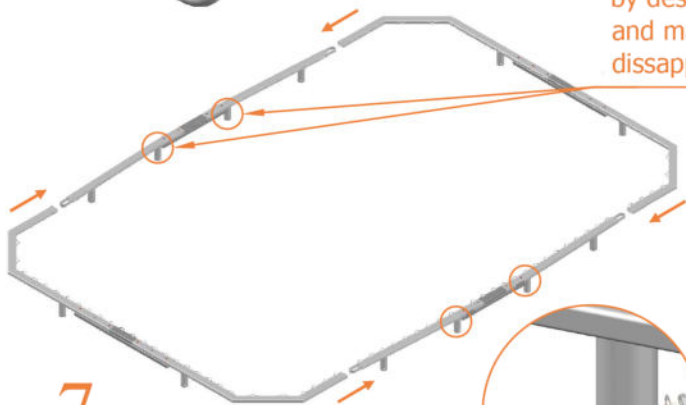


M8-60 8pcs



NOTE: The longer sides of the frame will appear to bow outwards - don't worry! This is by design. When the springs and mat are added on, it will disappear.

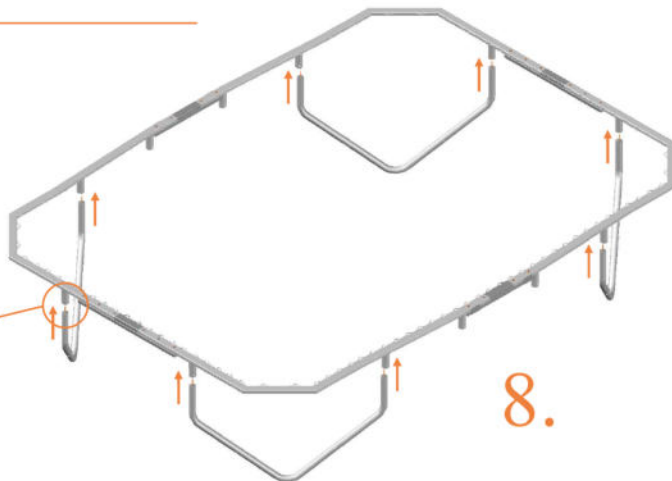
7.



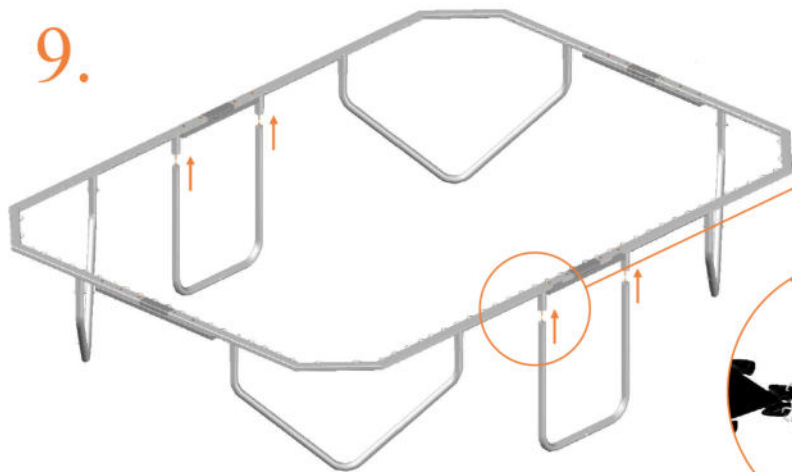
M8-70/B 8pcs



8.

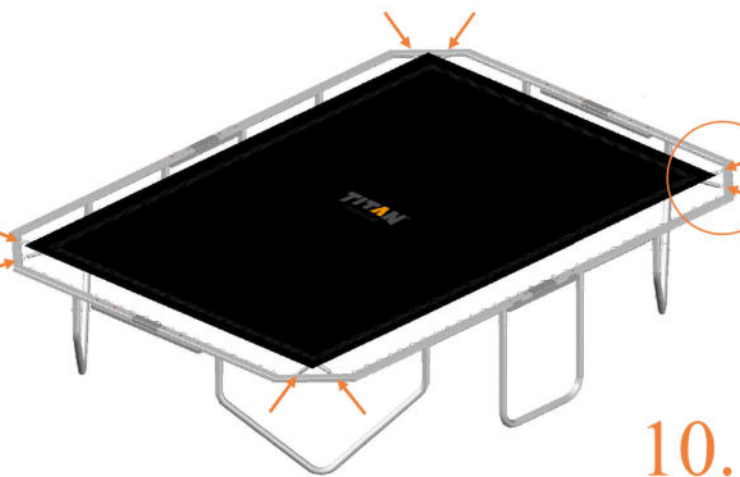


9.



M8-70/B 4pcs

8x spring 140mm

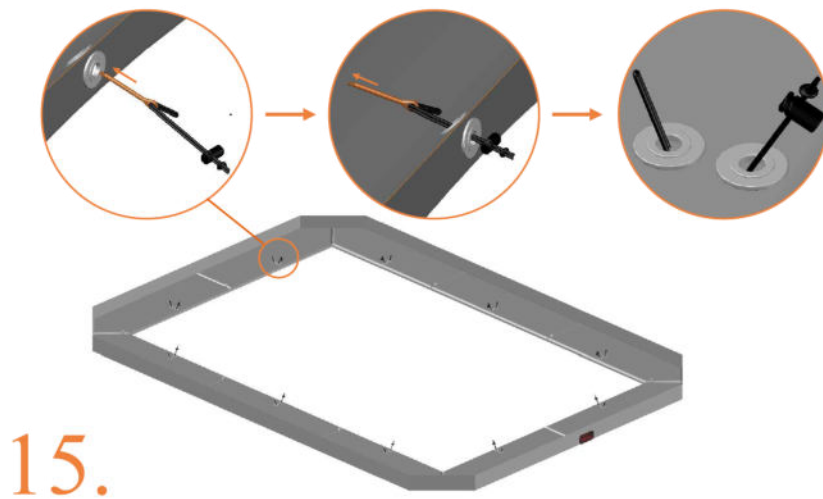
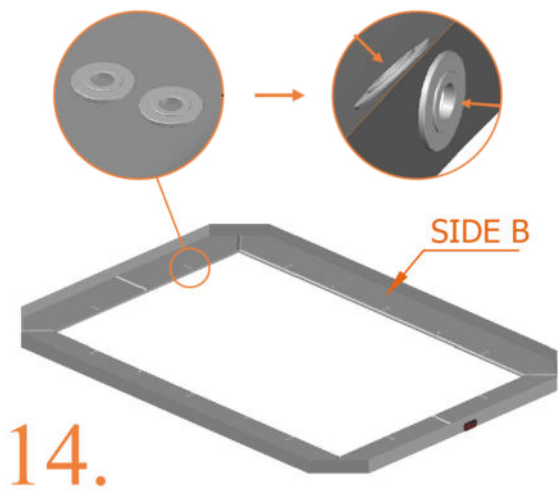
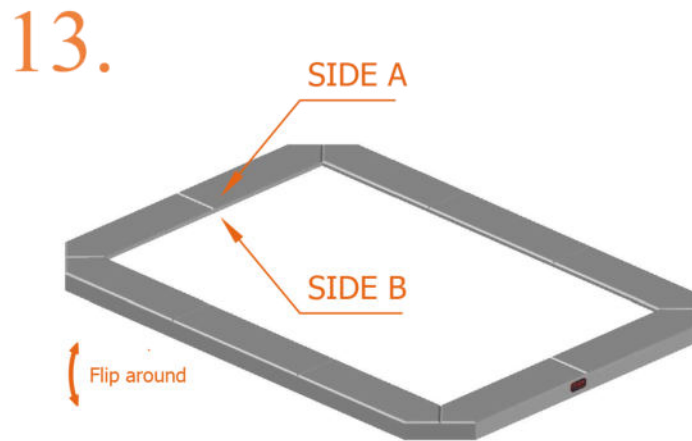


10.

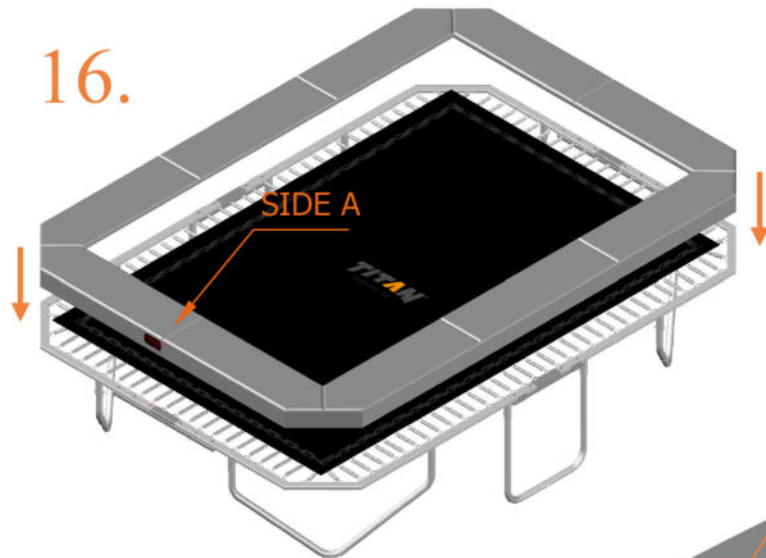


11.

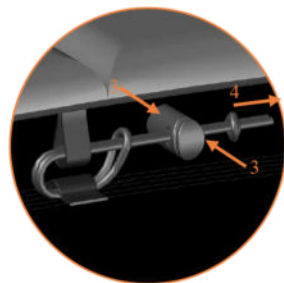
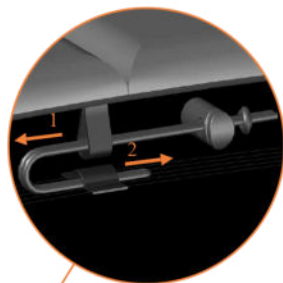
Model 313 / 370x410
Model 313-L / 370x510
Model 323 / Model 324 / Model 328 / 300x325 / 300x430 / 300x525
Model 343 / 400x500
Model 302 / 500x500



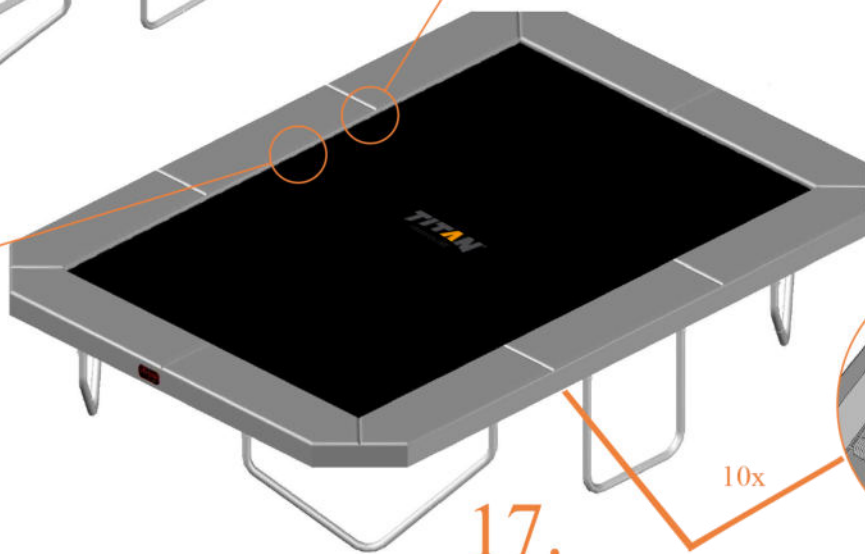
16.



TEPL-ELAS-B

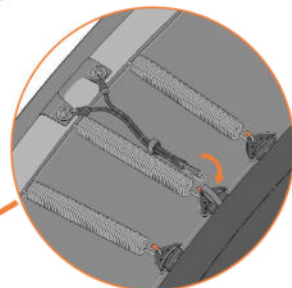


TEPL-ELAS-B



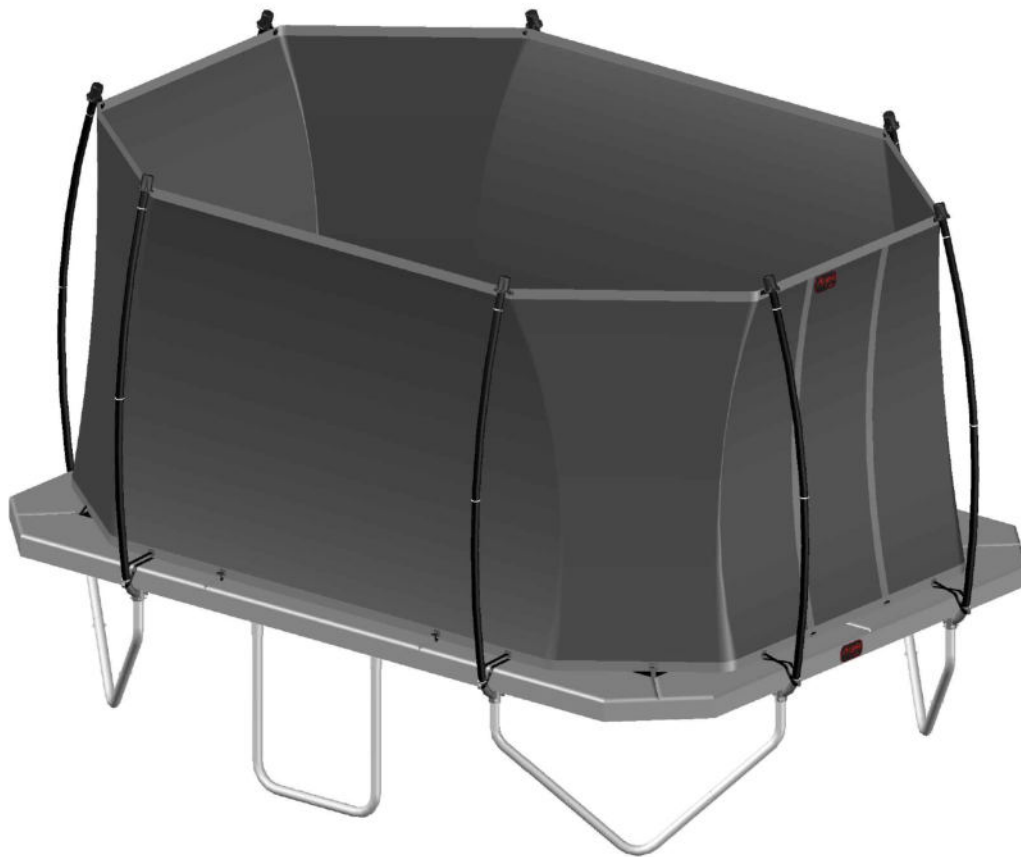
17.

10x



TEPL-ELAS-A

Safety net for Model 343 / 10x14ft



Model 343
10x14ft

Model 225 / Model 226 / Model 228
10x14ft / 10x14ft / 10x14ft

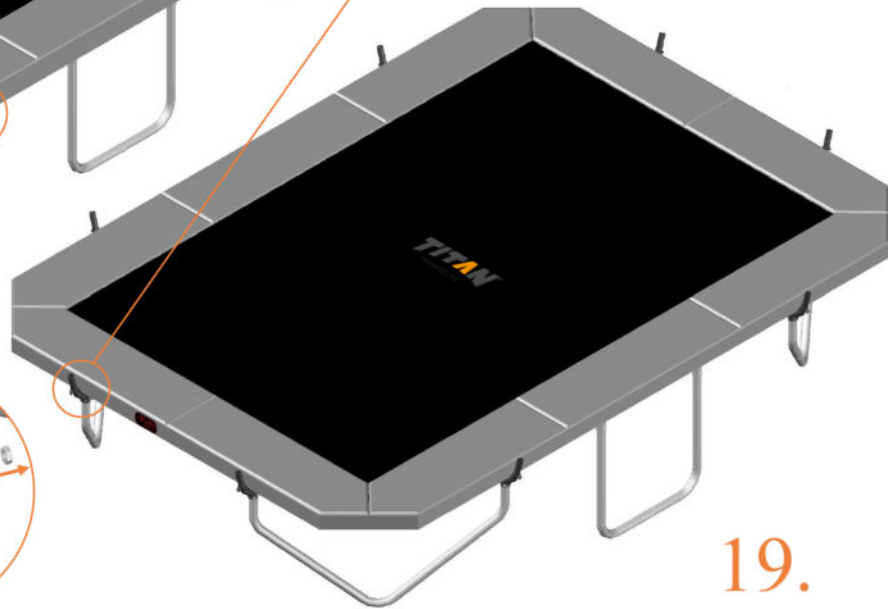
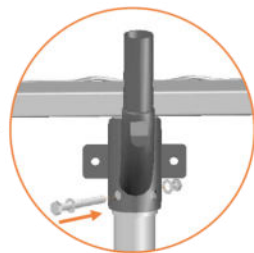
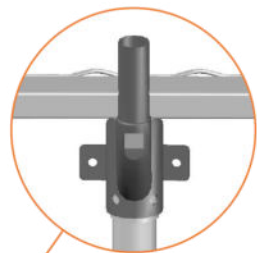
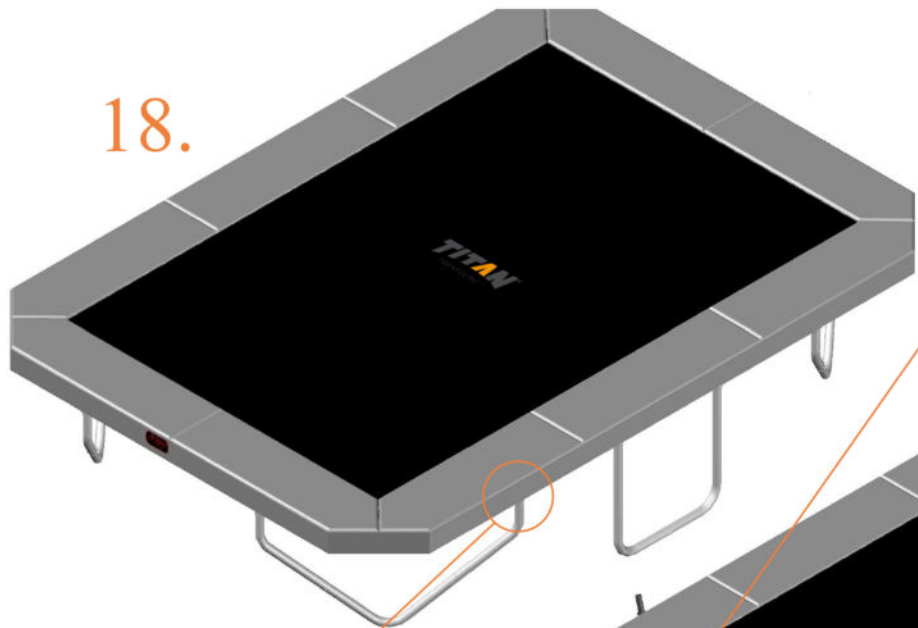
Model 212-1
10x14ft

Model 212
10x14ft

Safety net for Model 343 / 10x14ft

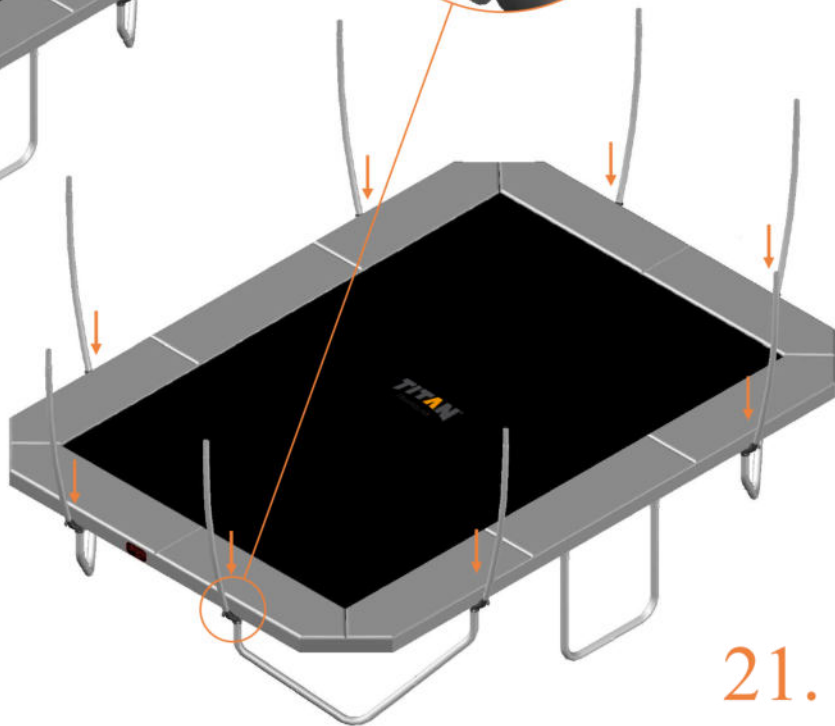
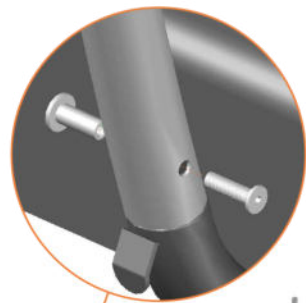
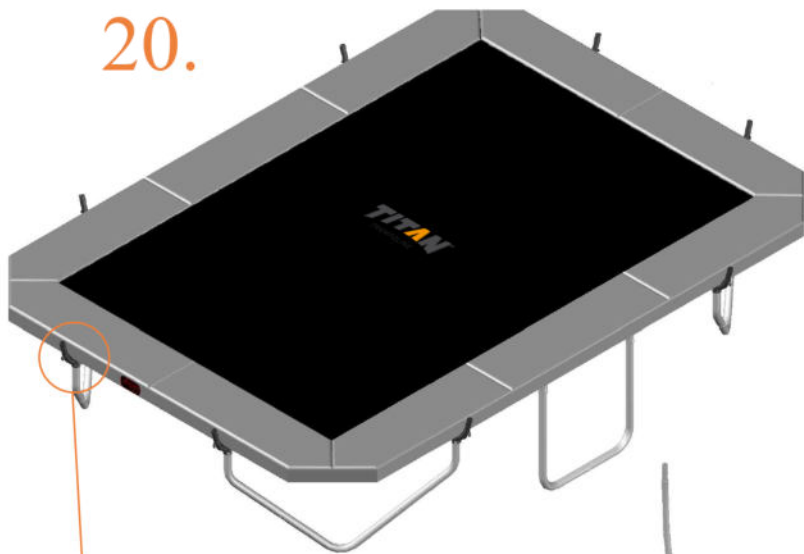
Model 343 APPROX 430x305cm			
	Quantity	Part number	
Pole with sleeve for safety net	8	AVBL-352-802 A	
Pole for safety net	8	AVBL-352-802 B	
Clamp	8	CLAMP-TOOL-SN-352-A	
Safety net	1	AVBL-343-black or ANGR-343-grey	
Straps for safety net	20	TEPL-BAND 16x short:1.0m(below) 4x long:1.5m(above)	
Strings for safety net	4	TEPL-ELAS-C	
Closure for safety net	2	TEPL-KNOOPJE	
Screw M6	8	M6-30	
Screw M8	16	M8-25	
Allen key	2	ALLEN-KEY	
Wrench	2	WRENCH	

18.



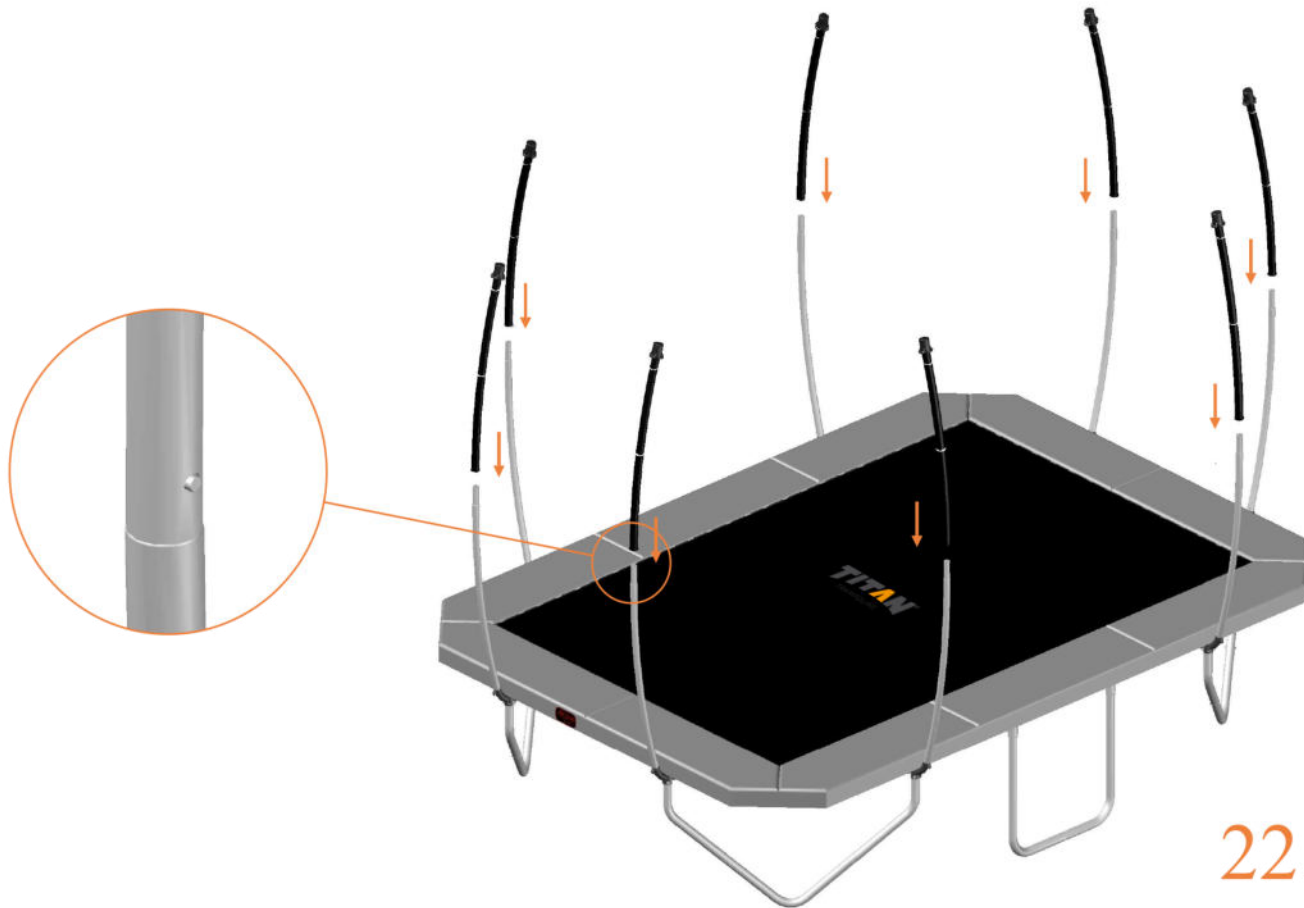
19.

20.



21.

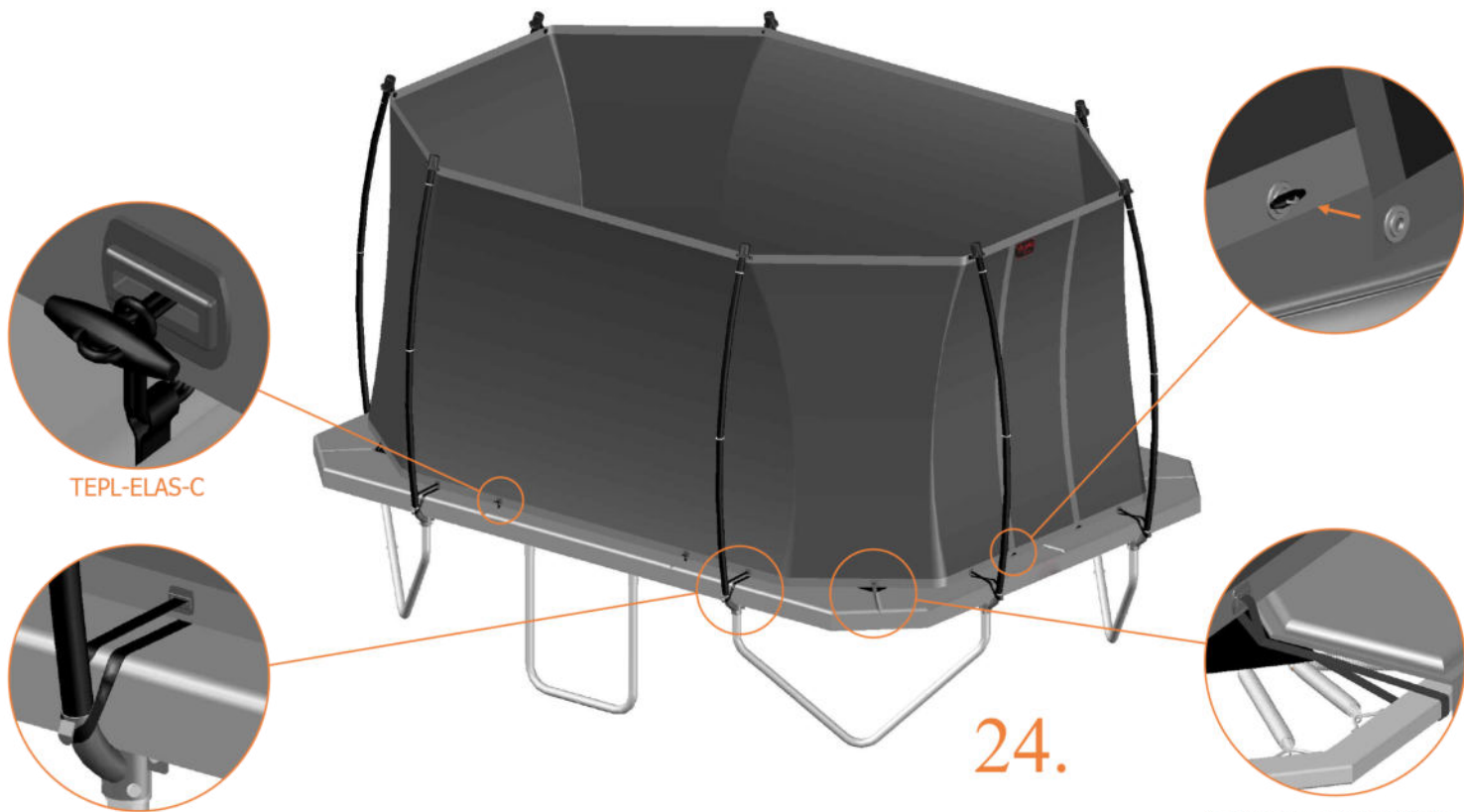




22.

23.





TEPL-ELAS-C

24.

4x TEPL-BAND-LONG



Sales office: Beneluxbaan 7

5121 DC Rijen

The Netherlands

sales@avyna.eu

www.avyna.eu